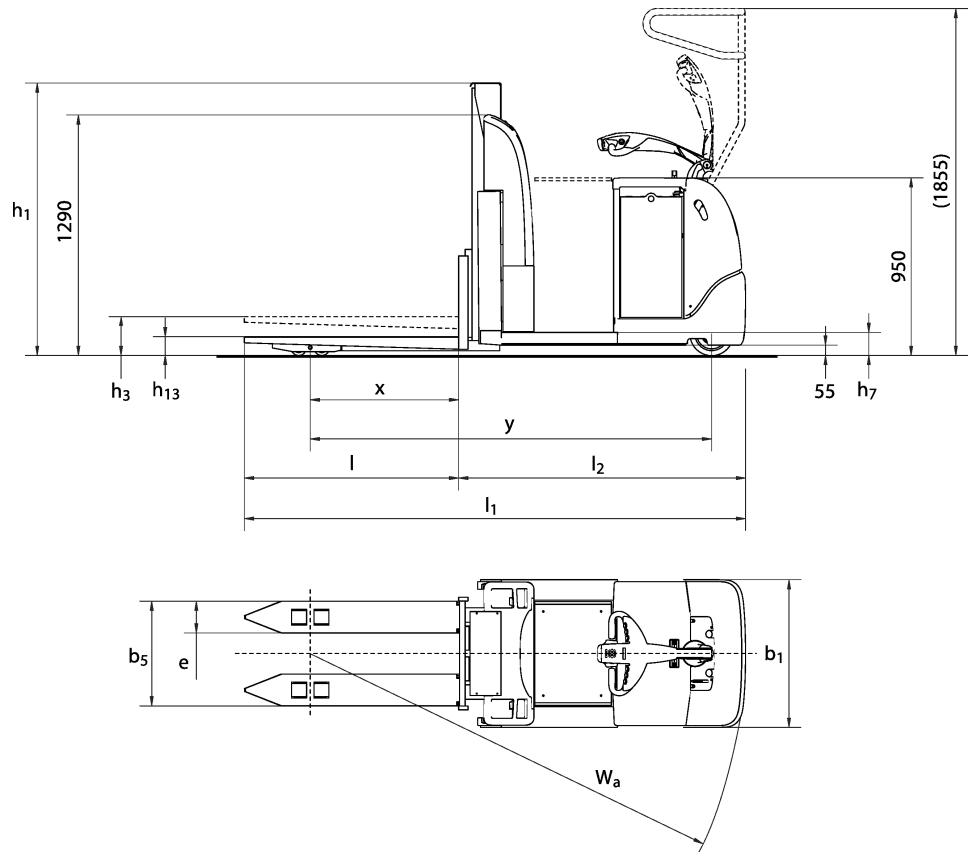


LOW LEVEL ORDER PICKER

PPD 200 JN

Driver lift makes the picking quicker at second level. Dampened lift and lowering movements. Solid bumper takes beating. High battery capacity 600 Ah.



Mast type	Lift height H	Height of mast lowered h1	Max mast height h4
Standard/Duplex			
Triplex			

Distinguishing mark	Specification			PPD 200 JN		
		1.2	Manufacturer's type designation			
	1.3	Drive: electric (battery or mains), diesel, petrol, fuel gas		Electric		
	1.4	Operator type: hand, pedestrian, standing, seated, order-picker		Hand		
	1.5	Load capacity/rated load	Q	t	2,0	
	1.6	Load centre distance	c	mm	600	
	1.8	Load distance, centre of load axle to fork	X		975 - 1465	
	1.9	Wheelbase	y	mm	1251 + x	
Weight	2.1	Service weight incl battery		kg	1125*	
	2.2	Axle load, with load, front/rear		kg		
	2.3	Axle load, without load, front / rear		kg	1100 / 2050	
	2.4	Axle load, fork outreached with load, front / rear		kg	825 / 300	
	2.5	Axle load, fork retracted with load, front / rear		kg		
Tyres, chassis	3.1	Tyres			Vulcollan	
	3.2	Tyre size, drive side		mm	Ø 230x90	
	3.3	Tyre size, load side		mm	Ø 85x70	
	3.4	Dimensions additional wheels (castor wheels)		mm	Ø 150x55	
	3.5	Wheels, number front/rear (drive side/load side, x = driven wheels)			1x 1/4	
	3.6	Track, drive side	b10	mm	500	
	3.7	Track, load side	b11	mm	V-175	
Dimensions	4.1	Tilt of mast/fork carriage, forward/backward		Grad		
	4.2	Height, mast lowered	h1	mm		
	4.3	Free lift	h2	mm		
	4.4	Lift height H = h1+h3	H	mm	230	
	4.5	Height, mast extended	h4	mm		
	4.6	Straddle lift	h5	mm		
	4.7	Height of overhead guard (cabin)	h6	mm		
	4.8	Seat height/stand height	h7	mm	123 - 146	
	4.10	Height of wheel arms	h8	mm		
	4.11	Additional lift	h9	mm		
	4.14	Stand height, elevated	h12	mm		
	4.15	Height lowered	h13	mm	85	
	4.19	Overall length	l1	mm	1430 + l	
	4.20	Length to face of forks	l2	mm	1430	
	4.21	Overall width	b1	mm	790	
	4.21.1	Width over stabilizers		mm		
	4.22	Fork dimensions	s/e/l	mm	55 / 175 /1150-2375	
	4.23	Fork carriage to ISO 2328, clas / form A, B				
	4.24	Width of fork carriage	b3	mm		
	4.25	Width over forks, min/max	b5	mm	480 / 680	
	4.26	Distance between wheel arms	b4	mm	V-350	
	4.27	Width across guide rolls	b6	mm		
	4.28	Reach distance	l4	mm		
	4.29	Reach lateral	b7	mm		
	4.30	Reach lateral from vehicle centerline	b8	mm		
	4.31	Ground clearance, mast	m1	mm		
	4.32	Ground clearance, centre of wheelbase	m2	mm	55	
	4.33	Aisle width with pallet 1000 x 1200, crosswise	Ast	mm	2630	
	4.34	Aisle width for pallet 800 x 1200, lengthwise	Ast	mm	2830	
		Transfer aisle	0	mm		
	4.35	Turning radius	Wa	mm	1430 + x	
	4.37	Length incl reach legs	l7	mm		
	4.38	Distance to swivelling-fork pivot	0	mm		
	Performance data	5.1	Travel speed, with/without load		km/h	10,0 / 12,0
		5.1.1	Travel speed with/without load, backwards		km/h	
		5.2	Lift speed, with/without load		m/s	0,06 / 0,07
		5.3	Lowering speed, with/without load		m/s	0,052 / 0,055
		5.4	Reach speed, with / without load		m/s	
5.7		Gradient, with/without load		%	7 / 15	
5.8		Max gradeability, with / without load, 5 min rating		%		
5.9		Acceleration time 0-10 m, with/without load		s		
5.10		Service brake: electric, hydraulic			Electric	
5.10.1		Parking brake: electric, hydraulic			Electric	
Electric engine	6.1	Drive motor, rating S2 60 min		kW	2,2 AC	
	6.2	Lift motor		kW	2,2	
	6.3	Battery according to DIN 43531/35/36	A,B,C			
	6.4	Battery voltage / Battery capacity		V/Ah	24 / 300-600	
	6.5	Battery weight		kg	460*	
	6.6	Power consumption according to VDI cycle		kWh/h		
Additional data	8.1	Speed regulation			AC Transistor	
	10.1	Operating pressure attachments		bar	160	
	10.2	Oil flow for attachments		l/min		
	10.7	Noise level at operator's ear, according to EN 12 053		db(A)		

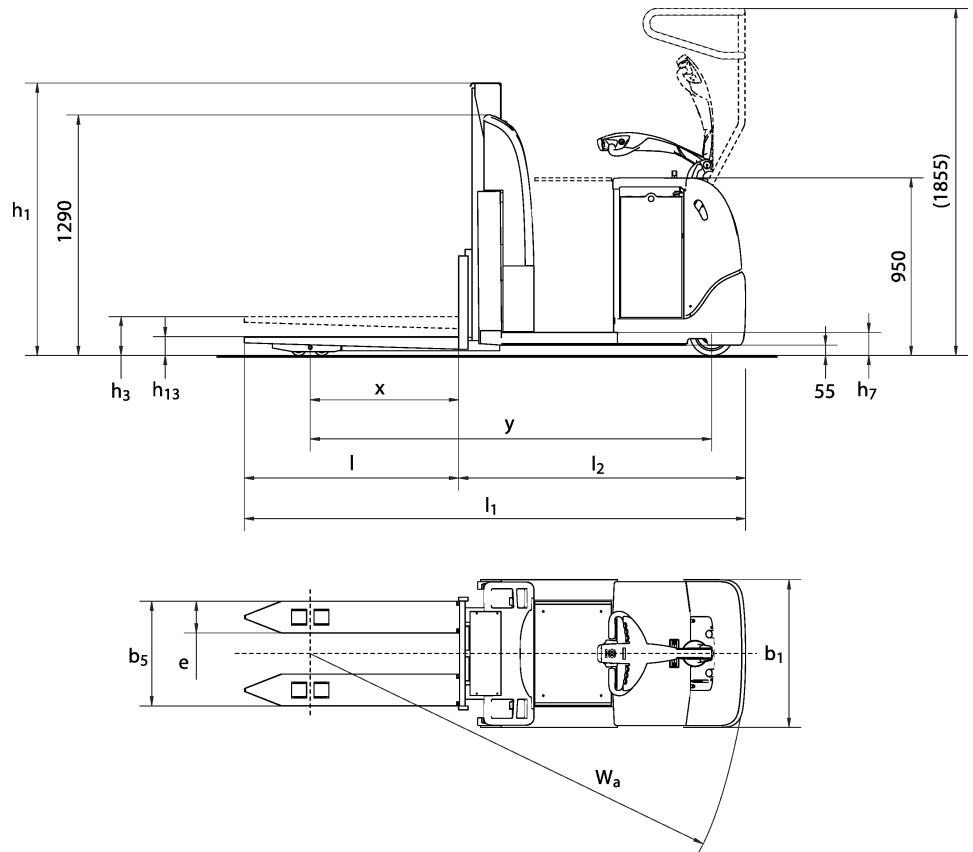
* Varies according to battery size

All rights reserved to change above specification

LOW LEVEL ORDER PICKER

PPD 250 SN

Driver lift makes the picking quicker at second level. Dampened lift and lowering movements. Solid bumper takes beating. High battery capacity 600 Ah.



Mast type	Lift height H	Height of mast lowered h1	Max mast height h4
Standard/Duplex			
Triplex			

Distinguishing mark	Specification			PPD 250 SN
		1.2	Manufacturer's type designation	
	1.3	Drive: electric (battery or mains), diesel, petrol, fuel gas		Electric
	1.4	Operator type: hand, pedestrian, standing, seated, order-picker		Seated
	1.5	Load capacity/rated load	Q t	2,5
	1.6	Load centre distance	c mm	600
	1.8	Load distance, centre of load axle to fork	X	975 - 1465
	1.9	Wheelbase	y mm	1170 + x
Weight	2.1	Service weight incl battery	kg	1090
	2.2	Axle load, with load, front/rear	kg	
	2.3	Axle load, without load, front / rear	kg	1070 / 2045
	2.4	Axle load, fork outreached with load, front / rear	kg	795 / 295
	2.5	Axle load, fork retracted with load, front / rear	kg	
Tyres, chassis	3.1	Tyres		Vulcollan
	3.2	Tyre size, drive side	mm	Ø 230x90
	3.3	Tyre size, load side	mm	Ø 85x70
	3.4	Dimensions additional wheels (castor wheels)	mm	Ø 150x55
	3.5	Wheels, number front/rear (drive side/load side, x = driven wheels)		1x 1/4
	3.6	Track, drive side	b10 mm	500
	3.7	Track, load side	b11 mm	V-175
Dimensions	4.1	Tilt of mast/fork carriage, forward/backward	Grad	
	4.2	Height, mast lowered	h1 mm	
	4.3	Free lift	h2 mm	
	4.4	Lift height H = h1+h3	H mm	
	4.5	Height, mast extended	h4 mm	230
	4.6	Straddle lift	h5 mm	
	4.7	Height of overhead guard (cabin)	h6 mm	
	4.8	Seat height/stand height	h7 mm	123 - 146
	4.10	Height of wheel arms	h8 mm	
	4.11	Additional lift	h9 mm	
	4.14	Stand height, elevated	h12 mm	
	4.15	Height lowered	h13 mm	85
	4.19	Overall length	l1 mm	1349 + l
	4.20	Length to face of forks	l2 mm	1349
	4.21	Overall width	b1 mm	790
	4.21.1	Width over stabilizers	mm	
	4.22	Fork dimensions	s/e/l mm	55/175/1150-2375
	4.23	Fork carriage to ISO 2328, clas / form A, B		
	4.24	Width of fork carriage	b3 mm	
	4.25	Width over forks, min/max	b5 mm	480 / 680
	4.26	Distance between wheel arms	b4 mm	V-350
	4.27	Width across guide rolls	b6 mm	
	4.28	Reach distance	l4 mm	
	4.29	Reach lateral	b7 mm	
	4.30	Reach lateral from vehicle centerline	b8 mm	
	4.31	Ground clearance, mast	m1 mm	
	4.32	Ground clearance, centre of wheelbase	m2 mm	55
	4.33	Aisle width with pallet 1000 x 1200, crosswise	Ast mm	2630
	4.34	Aisle width for pallet 800 x 1200, lengthwise	Ast mm	2830
		Transfer aisle	0 mm	
	4.35	Turning radius	Wa mm	1349 + x
	4.37	Length incl reach legs	l7 mm	
	4.38	Distance to swivelling-fork pivot	0 mm	
Performance data	5.1	Travel speed, with/without load	km/h	9,5 / 12,0
	5.1.1	Travel speed with/without load, backwards	km/h	
	5.2	Lift speed, with/without load	m/s	0,045 / 0,07
	5.3	Lowering speed, with/without load	m/s	0,052 / 0,055
	5.4	Reach speed, with / without load	m/s	
	5.7	Gradient, with/without load	%	7 / 15
	5.8	Max gradeability, with / without load, 5 min rating	%	
	5.9	Acceleration time 0-10 m, with/without load	s	
	5.10	Service brake: electric, hydraulic		Electric
	5.10.1	Parking brake: electric, hydraulic		Electric
Electric engine	6.1	Drive motor, rating S2 60 min	kW	2,2 AC
	6.2	Lift motor	kW	2,2
	6.3	Battery according to DIN 43531/35/36	A,B,C	
	6.4	Battery voltage / Battery capacity	V/Ah	24 / 300-400
	6.5	Battery weight	kg	425
	6.6	Power consumption according to VDI cycle	kWh/h	
Additional data	8.1	Speed regulation		AC transistor
	10.1	Operating pressure attachments	bar	160
	10.2	Oil flow for attachments	l/min	
	10.7	Noise level at operator's ear, according to EN 12 053	db(A)	

* Varies according to battery size

All rights reserved to change above specification